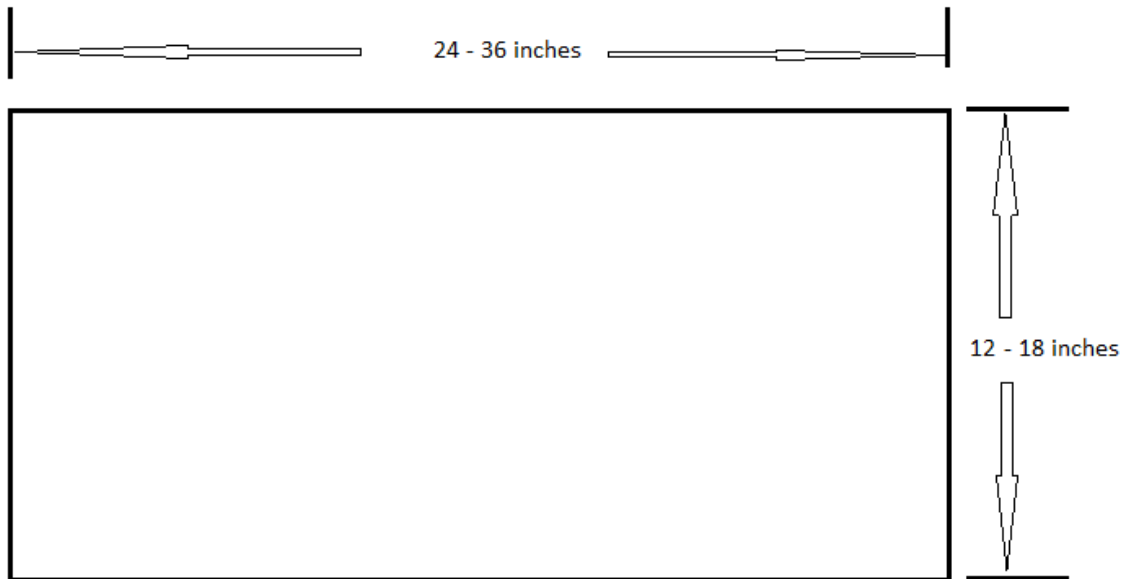
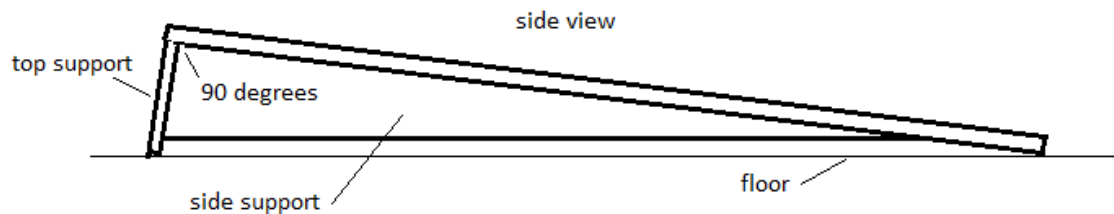


The Single Tier Board



Above is the plan view of the 12" X 24" board. You can make this any size you want to make it, depending on how many pedals you're dealing with. This board will hold 10 Boss size pedals. If you only have 6 pedals, make it 12" X 18", for example.

For more pedals, just make it longer, all the way up to 18" X 36". Any bigger than that and you're going to need roadies with a handtruck! We also want to keep the price down so we are trying to keep the size of plywood you need down to a size that most Home Centers carry, precut.



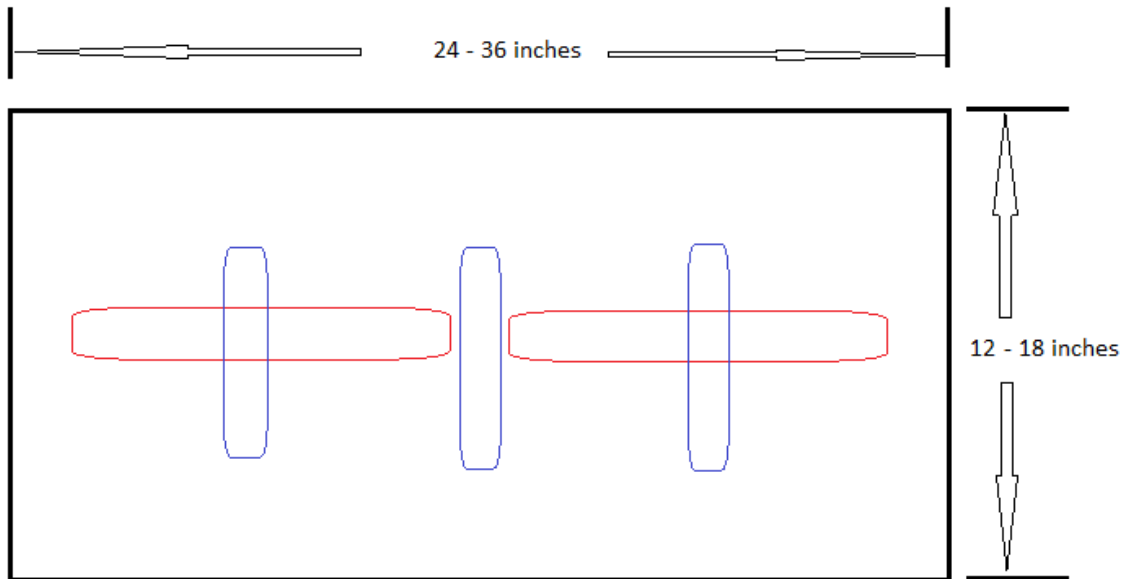
On the side view above, you must decide on the angle you like for the board. Prop up the top end with books or something so you can measure how far off the floor it is at the top. Remember to put your ruler perpendicular to the board, NOT the floor and measure from the bottom of the board. Cut a rectangular piece of wood 24" long and "your dimension" wide for the top support. The side supports don't touch the floor so you have room for a bottom piece. Also, you don't want the board to rock on an uneven surface. See the instructions for step-by-step how-to.

Guitar-Muse.com Pedalboard

Designed by Doug (Stratkat) Knight and The Forum Mafia

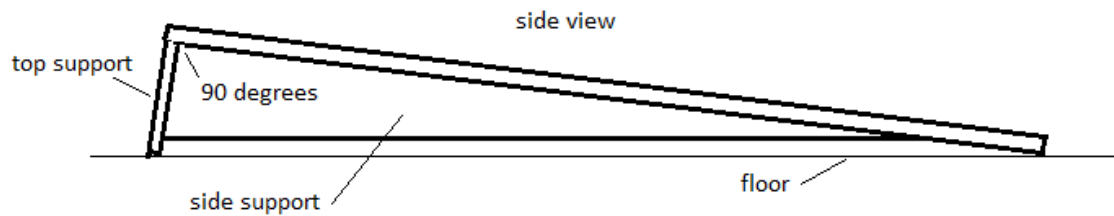
Plans copyright 2013 Midnight Rose.com/Guitar-Muse.com

The Single Tier Board



I promised a plan with slots to hide your cables. You really shouldn't need slots but I said I would do it, so here it is.

The RED slots are the easiest to do but they weaken the board the most. Put a center support in if you use these. The BLUE are a little better but aren't very practical either. Most guys don't use slots at all, and you really shouldn't. I can stand on my board. I don't know what will happen if you slot the board.



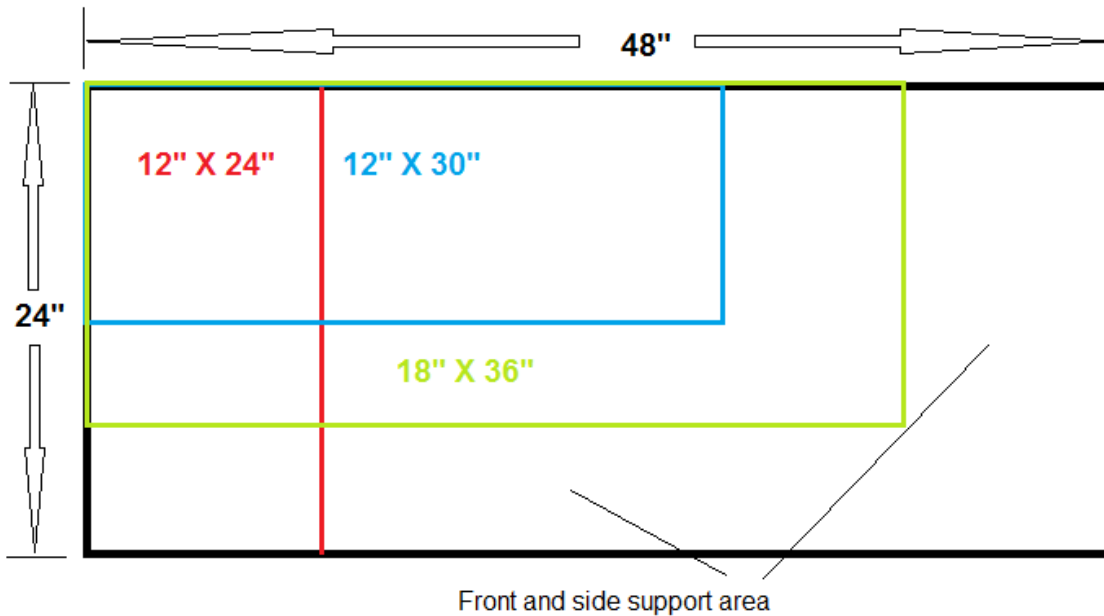
On the side view above, you must decide on the angle you like for the board. Prop up the top end with books or something so you can measure how far off the floor it is at the top. Remember to put your ruler perpendicular to the board, NOT the floor and measure from the bottom of the board. Cut a rectangular piece of wood 24" long and "your dimension" wide for the top support. The side supports don't touch the floor so you have room for a bottom piece. Also, you don't want the board to rock on an uneven surface. See the instructions for step-by-step how-to.

Guitar-Muse.com Pedalboard

Designed by Doug (Stratkat) Knight and The Forum Mafia

Plans copyright 2013 Midnight Rose.com/Guitar-Muse.com

Guitar-Muse Pedalboard Wood Layout



You can see above that one 24" X 48", 1/4 sheet of plywood from the home center will build this board in any size you like. By all means, build it smaller if you want to. A 1/8th sheet, 24" X 24" piece will build a 12" X 24" Standard size pedalboard or anything smaller.

The sky is the limit here, as long as you have roadies for a big size!

Guitar-Muse.com Pedalboard

Designed by Doug (Stratkat) Knight and The Forum Mafia

Plans copyright 2013 Midnight Rose.com/Guitar-Muse.com